

## Digital Undercounter ecostore HP Refrigerated Counter - 2 Door (R290) with top

ITEM # \_\_\_\_\_

MODEL # \_\_\_\_\_

NAME # \_\_\_\_\_

SIS # \_\_\_\_\_

AIA # \_\_\_\_\_


**710406 (EJ2HBAA)**

 2-door Refrigerated  
 Counter, -2+10°C, AISI 304  
 (R290)

### Short Form Specification

**Item No.** \_\_\_\_\_

AISI 304 stainless steel panels, AISI 430 bottom panel, galvanized back panel. Worktop thickness 50mm. N. 2 full doors. Built-in refrigeration unit. Operating temperature: -2+10°C. R290 gas in refrigeration circuit. Supplied with 1 grid for each door compartment

### Main Features

- Digital control panel allowing the easy and precise setting and control of the internal temperature.
- Operating temperature can be adjusted from -2 to +10 °C to suit different food storage requirements.
- Complies with main international certification bodies and is CE marked.
- Kit 1/2 drawers available as accessory.
- Completely automatic defrosting and automatic evaporation of defrost water by hot gas.
- Forced air cooling system guaranteeing great uniformity of the temperature in the counter and excellent conservation of the food quality.
- Kit 1/3 drawers available as accessory.
- Connectivity ready for real time access to connected appliances from remote and data monitoring (requires optional accessory).
- Easy serviceability thanks to the intuitive control panel with access via app.
- Integrated RS485 port to facilitate connection to a remote computer and integrated HACCP systems.

### Construction

- External back panel in galvanized steel.
- Built-in compressor to suit operating conditions.
- CFC and HCFC free.
- Legs in 304 AISI stainless steel (150 mm high, adjustable in height), with plastic interior.
- Internal and external doors, front and side panels and 50mm thick removable worktop in 304 AISI stainless steel.
- The door self-closes when opened less than at a 90° angle and is equipped with a door seal to guarantee perfect closure.
- High standards of hygiene and ease of cleaning are guaranteed by the rounded internal corners of the cabinet and easily removable runners and grids.

### Included Accessories

- 2 of Kit 1/1 grey rilsan grid and 2 PNC 881109 side runners for refrigerated counters

### Optional Accessories

- 1/1GN grey rilsan grid for refrigerated counters PNC 881107
- 2 side runners for 1/1 GN ecostore refrigerated counters PNC 881108
- Kit 1/1 grey rilsan grid and 2 side runners for refrigerated counters PNC 881109
- 1/1 GN plastic container, H=65 mm PNC 881110
- 2x½ drawer kit for refrigerated counters - h650mm PNC 881176
- 3x1/3 drawer kit for refrigerated counters - h650mm (only for refrigerated counters) PNC 881177

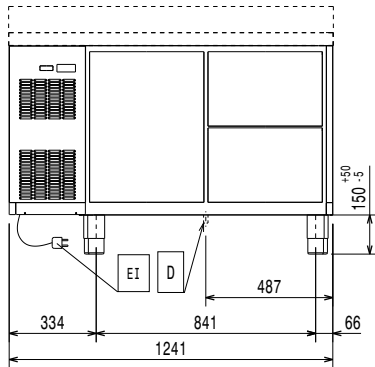
**APPROVAL:** \_\_\_\_\_



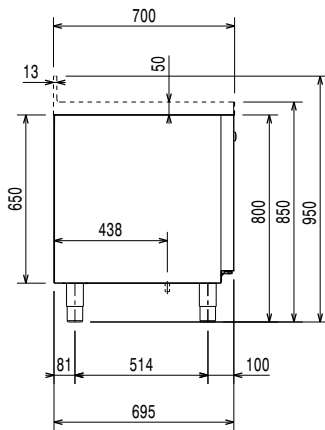
- 1/3 and 2/3 bottle drawer kit for refrigerated counters - h650mm (only for refrigerated counters) PNC 881178
- Kit 4 wheels, H=100 mm (2 with brakes) for refrigerated counters PNC 881191
- Kit 4 wheels, H=150 mm (2 with brakes) for 2&3 compartment refrigerated counters PNC 881193
- Lock for refrigerator/freezer counters with 2 compartments - h650mm (can be used in kit for Marine conversion) PNC 881245
- Kit 4 (45mm) spacers for wheels for refrigerator/freezer counters PNC 881277



Front

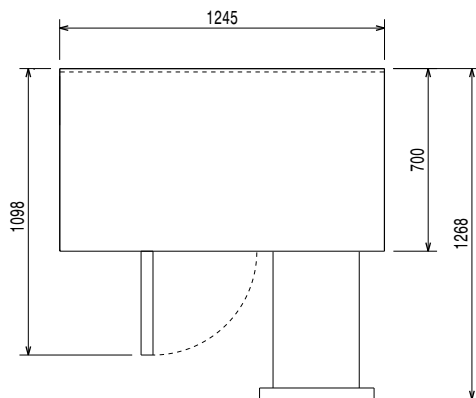


Side



EI = Electrical inlet (power)

Top



## Electric

### Supply voltage:

710406 (EJ2HBAA) 220-240 V/1 ph/50 Hz

### Electrical power max.:

0.22 kW

## Key Information:

**Gross capacity:** 290 lt

**Net Volume:** 163.6 lt

**N° of doors:**
**External dimensions, Width:** 1245 mm

**External dimensions, Depth:** 700 mm

**External dimensions, Height:** 850 mm

**Internal Dimensions, Width:** 798 mm

**Internal Dimensions, Depth:** 560 mm

**Internal Dimensions, Height:** 510 mm

**Net weight:** 94 kg

**Shipping volume:** 1.09 m<sup>3</sup>
**Depth with doors open:** 1310 mm

## Refrigeration Data

**Control type:** Digital

**Compressor power:** 1/4 hp

**Min/Max internal humidity:** 40/85

**Operating temperature min.:** -2 °C

**Operating temperature max.:** 10 °C

**Operating mode:** Ventilated

## ISO Certificates

**ISO Standards:** ISO 9001; ISO 14001; ISO 45001; ISO 50001

## Sustainability

**Energy Class (EU Reg. 2015/1094):**

B

**Yearly and daily energy consumption (EU Reg. 2015/1094):**

560kWh/year - 2kWh/24h

**Climate class (EU Reg. 2015/1094):**

Heavy Duty (5)

**Energy Efficiency Index-EEI (EU Reg. 2015/1094):**

25,36

**Refrigerant type:**

R290

**GWP Index:**

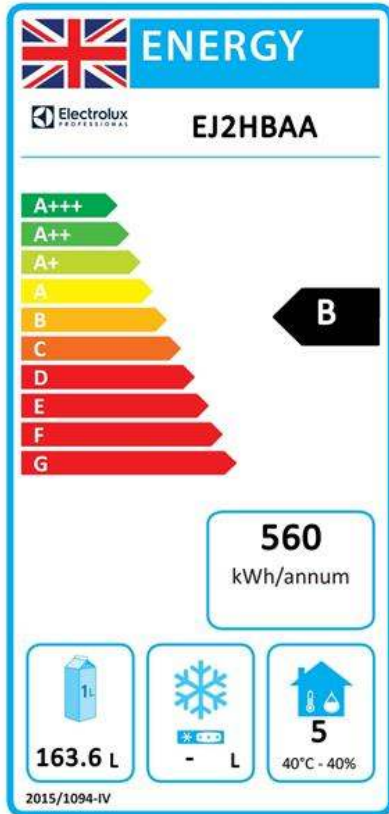
3

**Refrigeration power:**

320 W

**Refrigerant weight:**

50 g



**EU energy labelling from 1st July 2016**

The European energy labelling scheme for professional refrigerators and freezers is based on requirements setting Minimum Energy Performance standards for commercial refrigeration cabinets sold within the EU.

These requirements are designed to drive energy efficiency and environmentally friendly approach for professionals. The European energy labelling scheme will apply to all manufacturers and importers who sell and market products within the EU and it is mandatory across Europe. Important: all products which consume energy above the minimum level will not be able to be sold within the EU from 1 July 2016.

SI 2020 No. 1528.

Important: all products which consume energy above the minimum level will not be able to be sold within the EU from 1 July 2016.

